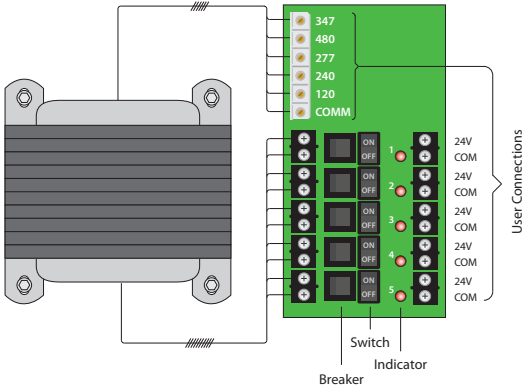


AC POWER SUPPLY

PSH200A-LVC

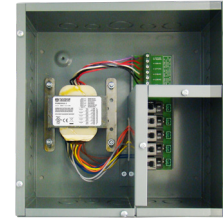
200 VA Power Supply, Five 40 VA Class 2 Outputs, 480/347/277/240/120 Vac to 24 Vac, Hi/Lo Voltage Separate Wiring Compartments, Metal Enclosure



PSH200A-LVC
 Shown With Full Cover & Access Plate



PSH200A-LVC
 Shown Without High Voltage Cover & Low Voltage Access Plate



PSH200A-LVC
 Shown Without Low Voltage Access Plate



SPECIFICATIONS

Transformer: One (1) 200 VA
Over Current Protection: Circuit Breaker
Primary: 480/347/277/240/120 Vac
Frequency: 50/60 Hz
Dimensions: 12.125" H x 12.125" W x 6.000" D
Origin: Made of US and non-US parts
Approvals: Class 2 (UL Approved UL5085-3), UL916, C-UL, CE, RoHS
Housing: NEMA1 Metal Enclosure

5 Secondaries:
 24 Vac, with LED Indicators
24 Vac ON/OFF:
 On / Off Switch & Breaker
Input:
 480/347/277/240/120 Vac **Finger-Safe Terminals**, 8-18 AWG
Output:
 5 Ungrounded, Isolated, 40 VA, Class 2, 24 Vac Outputs. Terminals accept 12-26 AWG wire.
Ambient Temperature Derating:
 1.6A up to 40° C ; 1.2A up to 60° C
 (When All 5 Outputs Operated Simultaneously)

Standby Wattage:
 18.93 W @ 120 Vac
 22.08 W @ 240 Vac
 22.33 W @ 277 Vac
 23.11 W @ 347 Vac
 25.24 W @ 480 Vac
Full Load Primary Current:
 2.57 A @ 120 Vac
 1.44 A @ 240 Vac
 1.17 A @ 277 Vac
 0.95 A @ 347 Vac
 0.73 A @ 480 Vac

Secondary Output Voltage vs. Load:
 24.9 V @ 0.5 Amp
 24.0 V @ 1.0 Amp
 23.9 V @ 1.4 Amp
 23.7 V @ 1.6 Amp
 • With 120 Vac primary input voltage
 • When all 5 outputs operated simultaneously, at room temperature